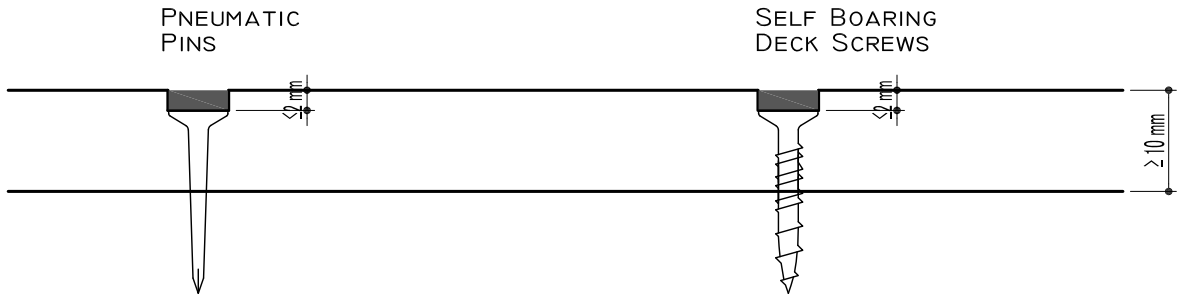


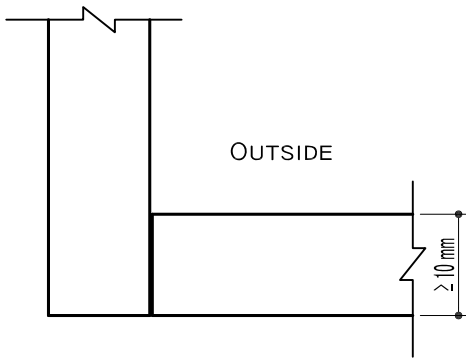
FASTENING



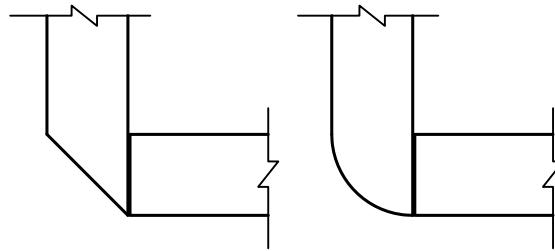
ANY CONSTRUCTION ADHERING
MOISTURE CURE URETHANE

BOARD THICK 8MM & THINNER REDUCE OR OMIT COUNTER SINK DEPTH DEPENDING
ON ASSEMBLY DETAILS.

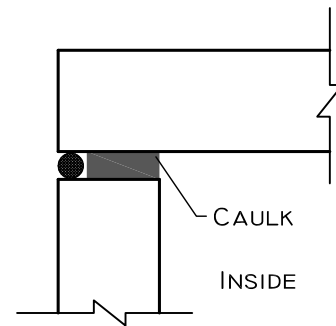
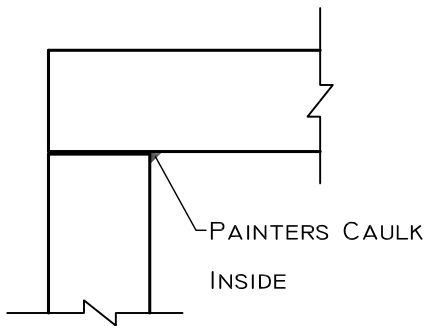
CORNER DETAILS



ROUTE OR SAND FLUSH
APPLY SKIM COAT OF CAULK OR MUD
NO BEAD REQUIRED

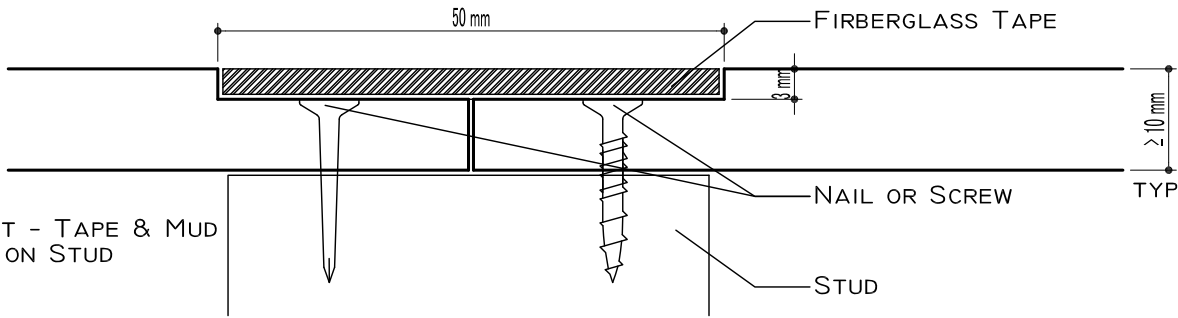
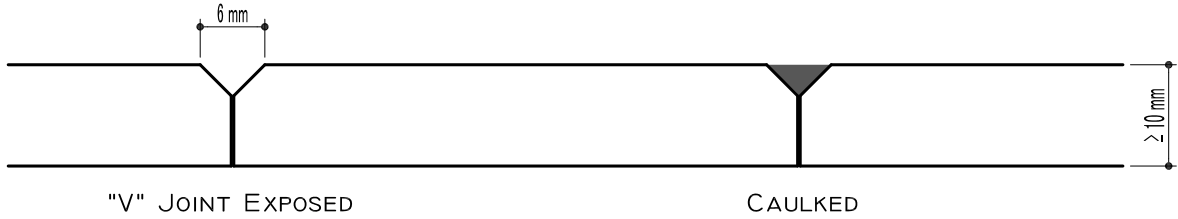


ALTERNATIVE ROUTER PROFILES

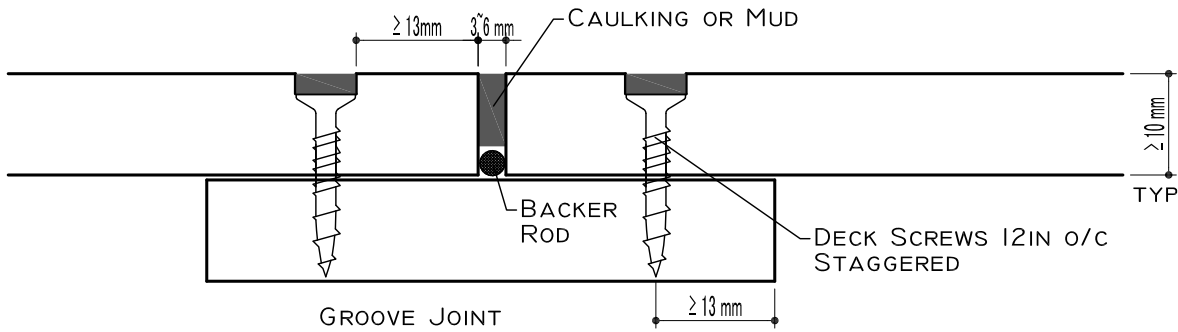


ALL BOARDS CLEAN
CUT WITH CARBIDE CIRCULAR / TABLE SAW

EDGE DETAILS
JOINT

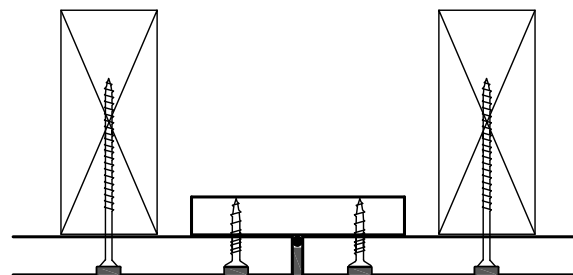
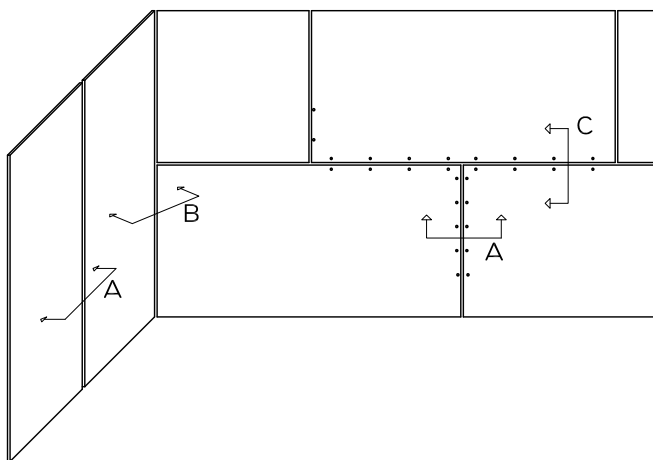


RABBET - TAPE & MUD
JOINT ON STUD

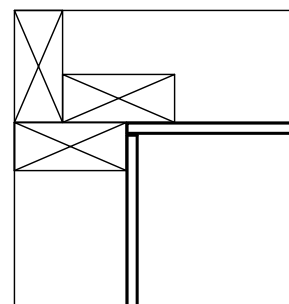


GROOVE JOINT

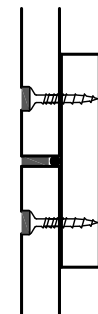
EDGE DETAILS
JOINT



SECTION A



SECTION B



SECTION C